



SHOEBOX CATALOG

JMF Adams

Lighting & Controls

JMF ADAMS

2851 BEDFORD LN. #56, CHINO HILLS, CA 91709
 Telephone: (833) 825-9532 Fax: (909) 236-5871



Item: 5P100WTRIBZ-SA
 20/40/60/80/100W Area 3/4/5K T3 0-10 120/277V UL&DLC 7YR

Color: Bronze
Size: Select
Packing: 1 Unit/Case
Case Weight: 9.00 lb
Unit: EA **Price:** \$184.62

120/277 VAC
VARIABLE POWER SWITCH
0-10V Dimming

DLC LISTED PREMIUM
 3000K
 4000K
 5000K
 Selectable

IP65 WET RATED



Item: 5P100WTRIBZ-SF
 20/40/60/80/100W Area 3/4/5K T3 0-10 120/277V UL&DLC 7YR

Color: Bronze
Size: Select
Packing: 1 Unit/Case
Case Weight: 9.00 lb
Unit: EA **Price:** \$184.62

120/277 VAC
VARIABLE POWER SWITCH
0-10V Dimming

DLC LISTED PREMIUM
 3000K
 4000K
 5000K
 Selectable

IP65 WET RATED



Item: 5P100WTRIBZ-SP
 20/40/60/80/100W Area 3/4/5K T3 0-10 120/277V UL&DLC 7YR

Color: Bronze
Size: Select
Packing: 1 Unit/Case
Case Weight: 9.00 lb
Unit: EA **Price:** \$184.62

120/277 VAC
VARIABLE POWER SWITCH
0-10V Dimming

DLC LISTED PREMIUM
 3000K
 4000K
 5000K
 Selectable

IP65 WET RATED



Item: 5P100WTRIBZ-TR
 20/40/60/80/100W Area 3/4/5K T3 0-10 120/277V UL&DLC 7YR

Color: Bronze
Size: Select
Packing: 1 Unit/Case
Case Weight: 9.00 lb
Unit: EA **Price:** \$184.62

120/277 VAC
VARIABLE POWER SWITCH
0-10V Dimming

DLC LISTED PREMIUM
 3000K
 4000K
 5000K
 Selectable

IP65 WET RATED



Item: 5P100WTRIBZ-YK
 20/40/60/80/100W Area 3/4/5K T3 0-10 120/277V UL&DLC 7YR

Color: Bronze
Size: Select
Packing: 1 Unit/Case
Case Weight: 9.00 lb
Unit: EA **Price:** \$184.62

120/277 VAC
VARIABLE POWER SWITCH
0-10V Dimming

DLC LISTED PREMIUM
 3000K
 4000K
 5000K
 Selectable

IP65 WET RATED



Item: 5P150WTRIBZ-SA
 120/135/150W Area Light 3/4/5K T3 0-10 120/277V UL&DLC 7YR

Color: Bronze
Size: Select
Packing: 1 Unit/Case
Case Weight: 9.00 lb
Unit: EA **Price:** \$240.92

120/277 VAC
VARIABLE POWER SWITCH
0-10V Dimming

DLC LISTED PREMIUM
 3000K
 4000K
 5000K
 Selectable

IP65 WET RATED

JMF ADAMS

2851 BEDFORD LN. #56, CHINO HILLS, CA 91709
 Telephone: (833) 825-9532 Fax: (909) 236-5871



Item: 5P150WTRIBZ-SF
 80/90/110/130/150W Area 3/4/5K T3 0-10 120/277V UL&DLC 7YR

Color: Bronze
Size: Select
Packing: 1 Unit/Case
Case Weight: 9.00 lb
Unit: EA **Price:** \$215.38

120/277 VAC
VARIABLE POWER SWITCH
0-10V Dimming

DLC LISTED PREMIUM
 3000K
 4000K
 5000K
 Selectable

IP65 WET RATED



Item: 5P150WTRIBZ-SP
 80/90/110/130/150W Area 3/4/5K T3 0-10 120/277V UL&DLC 7YR

Color: Bronze
Size: Select
Packing: 1 Unit/Case
Case Weight: 9.00 lb
Unit: EA **Price:** \$215.38

120/277 VAC
VARIABLE POWER SWITCH
0-10V Dimming

DLC LISTED PREMIUM
 3000K
 4000K
 5000K
 Selectable

IP65 WET RATED



Item: 5P150WTRIBZ-TR
 80/90/110/130/150W Area 3/4/5K T3 0-10 120/277V UL&DLC 7YR

Color: Bronze
Size: Select
Packing: 1 Unit/Case
Case Weight: 9.00 lb
Unit: EA **Price:** \$215.38

120/277 VAC
VARIABLE POWER SWITCH
0-10V Dimming

DLC LISTED PREMIUM
 3000K
 4000K
 5000K
 Selectable

IP65 WET RATED




Item: 5P150WTRIBZ-YK
 80/90/110/130/150W Area 3/4/5K T3 0-10 120/277V UL&DLC 7YR

Color: Bronze
Size: Select
Packing: 1 Unit/Case
Case Weight: 9.00 lb
Unit: EA **Price:** \$215.38

120/277 VAC
VARIABLE POWER SWITCH
0-10V Dimming

DLC LISTED PREMIUM
 3000K
 4000K
 5000K
 Selectable

IP65 WET RATED




Item: 5P240WTRIBZ-SA
 140/165/190/215/240W Area 3/4/5K T3 0-10 120/277V UL&DLC 7YR

Color: Bronze
Size: Select
Packing: 1 Unit/Case
Case Weight: 12.00 lb
Unit: EA **Price:** \$338.46

120/277 VAC
VARIABLE POWER SWITCH
0-10V Dimming

DLC LISTED PREMIUM
 3000K
 4000K
 5000K
 Selectable

IP65 WET RATED



Item: 5P240WTRIBZ-SF
 140/165/190/215/240W Area 3/4/5K T3 0-10 120/277V UL&DLC 7YR

Color: Bronze
Size: Select
Packing: 1 Unit/Case
Case Weight: 12.00 lb
Unit: EA **Price:** \$338.46

120/277 VAC
VARIABLE POWER SWITCH
0-10V Dimming

DLC LISTED PREMIUM
 3000K
 4000K
 5000K
 Selectable

IP65 WET RATED

JMF ADAMS

2851 BEDFORD LN. #56, CHINO HILLS, CA 91709
Telephone: (833) 825-9532 Fax: (909) 236-5871



Item: 5P240WTRIBZ-SP
140/165/190/215/240W Area 3/4/5K T3
0-10 120/277V UL&DLC 7YR

Color: Bronze
Size: Select
Packing: 1 Unit/Case
Case Weight: 12.00 lb
Unit: EA **Price:** \$338.46



Item: 5P240WTRIBZ-TR
140/165/190/215/240W Area 3/4/5K
T3 0-10 120/277V UL&DLC 7YR

Color: Bronze
Size: Select
Packing: 1 Unit/Case
Case Weight: 12.00 lb
Unit: EA **Price:** \$338.46



Item: 5P240WTRIBZ-YK
140/165/190/215/240W Area 3/4/5K T3
0-10 120/277V UL&DLC 7YR

Color: Bronze
Size: Select
Packing: 1 Unit/Case
Case Weight: 12.00 lb
Unit: EA **Price:** \$338.46



Item: 5P300WTRIBZ-SA
200/225/250/275/300W Area 3/4/5K
T3 0-10 120/277V UL&DLC 7YR

Color: Bronze
Size: Select
Packing: 1 Unit/Case
Case Weight: 13.00 lb
Unit: EA **Price:** \$400.00



Item: 5P300WTRIBZ-SF
200/225/250/275/300W Area 3/4/5K T3
0-10 120/277V UL&DLC 7YR

Color: Bronze
Size: Select
Packing: 1 Unit/Case
Case Weight: 14.00 lb
Unit: EA **Price:** \$400.00



Item: 5P300WTRIBZ-SP
200/225/250/275/300W Area 3/4/5K
T3 0-10 120/277V UL&DLC 7YR

Color: Bronze
Size: Select
Packing: 1 Unit/Case
Case Weight: 14.00 lb
Unit: EA **Price:** \$400.00



JMF ADAMS

2851 BEDFORD LN. #56, CHINO HILLS, CA 91709
 Telephone: (833) 825-9532 Fax: (909) 236-5871



Item: 5P300WTRIBZ-TR
 200/225/250/275/300W Area 3/4/5K T3
 0-10 120/277V UL&DLC 7YR

Color: Bronze
Size: Select
Packing: 1 Unit/Case
Case Weight: 14.00 lb
Unit: EA **Price:** \$400.00



Item: 5P300WTRIBZ-YK
 200/225/250/275/300W Area 3/4/5K
 T3 0-10 120/277V UL&DLC 7YR

Color: Bronze
Size: Select
Packing: 1 Unit/Case
Case Weight: 14.00 lb
Unit: EA **Price:** \$400.00



Item: 5P450WTRIBZ-SA
 330/360/390/420/450W Area 3/4/5K T3
 0-10 120/277V UL&DLC 7YR

Color: Bronze
Size: Select
Packing: 1 Unit/Case
Case Weight: 14.00 lb
Unit: EA **Price:** \$492.31



Item: 5P450WTRIBZ-SF
 330/360/390/420/450W Area 3/4/5K
 T3 0-10 120/277V UL&DLC 7YR

Color: Bronze
Size: Select
Packing: 1 Unit/Case
Case Weight: 9.00 lb
Unit: EA **Price:** \$492.31



Item: 5P450WTRIBZ-SP
 330/360/390/420/450W Area 3/4/5K T3
 0-10 120/277V UL&DLC 7YR

Color: Bronze
Size: Select
Packing: 1 Unit/Case
Case Weight: 9.00 lb
Unit: EA **Price:** \$492.31



Item: 5P450WTRIBZ-TR
 330/360/390/420/450W Area 3/4/5K
 T3 0-10 120/277V UL&DLC 7YR

Color: Bronze
Size: Select
Packing: 1 Unit/Case
Case Weight: 9.00 lb
Unit: EA **Price:** \$492.31

JMF ADAMS

2851 BEDFORD LN. #56, CHINO HILLS, CA 91709
 Telephone: (833) 825-9532 Fax: (909) 236-5871



Item: 5P450WTRIBZ-YK
 330/360/390/420/450W Area 3/4/5K T3
 0-10 120/277V UL&DLC 7YR

Color: Bronze
Size: Select
Packing: 1 Unit/Case
Case Weight: 9.00 lb
Unit: EA **Price:** \$492.31



Item: AOK-100WoTNVSL:
 100W Shoebox 50K 120/277V
 15335LM 0-10V T4 UL DLC 5-YR

Color: Bronze
Size: 100W
Packing: 1 Unit/Case
Case Weight: lb
Unit: EA **Price:** \$169.23



Item: AOK-115WoT-NVL3
 115W Shoebox 50K 120/277V
 15640LM 0-10V T4 UL DLC 5-YR

Color: Bronze
Size: 115W
Packing: 1 Unit/Case
Case Weight: lb
Unit: EA **Price:** \$158.46



Item: AOK-145WoT-NVL3
 145W Shoebox 50K 120/277V
 20154LM 0-10V T4 UL DLC 5-YR

Color: Bronze
Size: 145W
Packing: 1 Unit/Case
Case Weight: lb
Unit: EA **Price:** \$192.31



Item: AOK-145WoT-NVS
 145W Shoebox 50K 120/277V
 23200LM 0-10V T4 UL DLC 5-YR

Color: Black
Size: 145W
Packing: 1 Unit/Case
Case Weight: lb
Unit: EA **Price:** \$207.69



Item: AOK-230WoT-NVL5
 230W Shoebox 50K 120/277V
 32231LM 0-10V T4 UL DLC 5-YR

Color: Bronze
Size: 230W
Packing: 1 Unit/Case
Case Weight: lb
Unit: EA **Price:** \$300.00

JMF ADAMS

2851 BEDFORD LN. #56, CHINO HILLS, CA 91709
 Telephone: (833) 825-9532 Fax: (909) 236-5871



Item: AOK-300WoT-NVL3
 300W Shoebox 50K 120/277V
 46194LM 0-10V T3 UL DLC 5-YR
Color: Bronze
Size: 300W
Packing: 1 Unit/Case
Case Weight: lb
Unit: EA Price: \$438.46



Item: AOK-300WoT-NVL5
 300W Shoebox 50K 120/277V
 46194LM 0-10V T4 UL DLC 5-YR
Color: Bronze
Size: 300W
Packing: 1 Unit/Case
Case Weight: lb
Unit: EA Price: \$392.31



Item: AOK-420WoT-NVS5
 420W Shoebox 50K 120/277V
 66360LM 0-10V T4 UL DLC 5-YR
Color: Bronze
Size: 420W
Packing: 1 Unit/Case
Case Weight: lb
Unit: EA Price: \$500.00



Item: AOK-75WoT-NV-L3
 75W Shoebox 50K 120/277V
 12535LM 0-10V T4 UL DLC 5-YR
Color: Bronze
Size: 75W
Packing: 1 Unit/Case
Case Weight: lb
Unit: EA Price: \$146.15



Item: AOK-75WoT-NVS-W
 75W Shoebox 50K 120/277V 12535LM
 0-10V T4 UL DLC 5-YR
Color: White
Size: 75W
Packing: 1 Unit/Case
Case Weight: lb
Unit: EA Price: \$183.08



Item: AR2-100P-50-T3
 60/80/100W Select Shoebox 50K T3
 0-10V 120/277V UL&DLC 10YR
Color: Bronze
Size: Select
Packing: 1 Unit/Case
Case Weight: 9.00 lb
Unit: EA Price: \$184.62

JMF ADAMS

2851 BEDFORD LN. #56, CHINO HILLS, CA 91709
Telephone: (833) 825-9532 Fax: (909) 236-5871



Item: ESBV7100W-BRONZ
100W Shoebox 50K 120/277V
13000LM 0-10V T3 UL DLC 5-YR
Color: Bronze
Size: 100W
Packing: 1 Unit/Case
Case Weight: 32.00 lb
Unit: EA **Price:** \$130.77



Item: ESBV7150WCT3A1
150W Shoebox 50K 120/277V
19500LM 0-10V T3 UL DLC 5-YR
Color: Bronze
Size: 150W
Packing: 1 Unit/Case
Case Weight: lb
Unit: EA **Price:** \$155.23



Item: ESBV7200WCT3A1
200W Shoebox 50K 120/277V
26000LM 0-10V T3 UL DLC 5-YR
Color: Bronze
Size: 200W
Packing: 1 Unit/Case
Case Weight: lb
Unit: EA **Price:** \$184.00



Item: ESBV7240WCT3A1
240W Shoebox 50K 120/277V
31200LM 0-10V T3 UL DLC 5-YR
Color: Bronze
Size: 240W
Packing: 1 Unit/Case
Case Weight: lb
Unit: EA **Price:** \$214.95



Item: ESBV7300WT3A1
300W Shoebox 50K 120/277V
39000LM 0-10V T3 UL DLC 5-YR
Color: Bronze
Size: 300W
Packing: 1 Unit/Case
Case Weight: lb
Unit: EA **Price:** \$247.57



Item: ESBV7300WT3A1W
300W Shoebox 50K 120/277V
39000LM 0-10V T3 UL DLC 5-YR
Color: White
Size: 300W
Packing: 1 Unit/Case
Case Weight: lb
Unit: EA **Price:** \$252.31

JMF ADAMS

2851 BEDFORD LN. #56, CHINO HILLS, CA 91709
Telephone: (833) 825-9532 Fax: (909) 236-5871



Item: HG-SL-100W-B
LED Shoebox/Parking Lot Light, 100W,
50K, 13,000 LM, CRI 73+

Color: Bronze
Size: 100W
Packing: 1 Unit/Case
Case Weight: 32.00 lb
Unit: EA **Price:** \$147.69



Item: HG-SL-150W-B
LED Shoebox/Parking Lot Light,
150W, 50K, 19,500 LM, CRI 73+

Color: Bronze
Size: 150W
Packing: 1 Unit/Case
Case Weight: 32.00 lb
Unit: EA **Price:** \$159.08



Item: HG-SL-200W-B
LED Shoebox/Parking Lot Light, 200W,
50K, 26,000 LM, CRI 73+

Color: Bronze
Size: 200W
Packing: 1 Unit/Case
Case Weight: 45.00 lb
Unit: EA **Price:** \$209.08



Item: HG-SL-300W-B
LED Shoebox/Parking Lot Light,
300W, 50K, 39,000 LM, CRI 73+

Color: Bronze
Size: 300W
Packing: 1 Unit/Case
Case Weight: 50.00 lb
Unit: EA **Price:** \$246.31



Item: HG-SL05-100W
100W LED Shoebox Light 50K
120/277VAC 15,000LM T3 UL/DLC
5YR

Color: Bronze
Size: 100W
Packing: 5 Unit/Case
Case Weight: 53.00 lb
Unit: EA **Price:** \$132.31



Item: HG-SL05-150W
150W LED Shoebox Light 50K
120/277VAC 21,750LM T3 UL/DLC

Color: Bronze
Size: 150W
Packing: 5 Unit/Case
Case Weight: 53.00 lb
Unit: EA **Price:** \$126.46

JMF ADAMS

2851 BEDFORD LN. #56, CHINO HILLS, CA 91709
Telephone: (833) 825-9532 Fax: (909) 236-5871



Item: HG-SL05-200W
200W LED Shoebox Light 50K
120/277VAC 29,000LM T3 UL/DLC
5YR
Color: Bronze
Size: 200W
Packing: 5 Unit/Case
Case Weight: 28.00 lb
Unit: EA **Price:** \$180.17



Item: HG-SL05-300W
300W LED Shoebox Light 50K
120/277VAC 43,500LM T3 UL/DLC
Color: Bronze
Size: 300W
Packing: 1 Unit/Case
Case Weight: 17.70 lb
Unit: EA **Price:** \$216.15



Item: KLSBAL150-T350K
150W LED Shoebox/Parking Lot Light
w/PC 50K 20,805LM DLC/5YR
Color: Bronze
Size: 150W
Packing: 3 Unit/Case
Case Weight: 34.90 lb
Unit: EA **Price:** \$138.46



Item: KLSBAL200-T350K
200W LED Shoebox PC 50K
27,000LM 120/277V UL/DLC 5-YR
Color: Bronze
Size: 200W
Packing: 3 Unit/Case
Case Weight: 34.90 lb
Unit: EA **Price:** \$152.31



Item: KLSBAL320-T350K
312W LED Shoebox/Parking Lot Light
w/PC 50K 43,087LM DLC/5YR
Color: Bronze
Size: 300W
Packing: 2 Unit/Case
Case Weight: 34.90 lb
Unit: EA **Price:** \$215.38



Item: MAL04100W27V40K
100W AreaLight 140LPW 13800LM
40K120/277V T3Lens 5YR DLC Pre
Color: Bronze
Size: 100W
Packing: 1 Unit/Case
Case Weight: lb
Unit: EA **Price:** \$140.92

JMF ADAMS

2851 BEDFORD LN. #56, CHINO HILLS, CA 91709
Telephone: (833) 825-9532 Fax: (909) 236-5871



Item: MAL04100W27V50K
100W AreaLight 140LPW 13800LM
50K120/277V T3Lens 5YR DLC Pre

Color: Bronze
Size: 100W
Packing: 1 Unit/Case
Case Weight: lb
Unit: EA **Price:** \$140.92



Item: MAL04150W27V40K
150W AreaLight 140LPW 20500LM
40K120/277V T3Lens 5YR DLC Pre

Color: Bronze
Size: 150W
Packing: 1 Unit/Case
Case Weight: lb
Unit: EA **Price:** \$191.08



Item: MAL04150W27V50K
150W AreaLight 140LPW 20500LM
50K120/277V T3Lens 5YR DLC Pre

Color: Bronze
Size: 150W
Packing: 1 Unit/Case
Case Weight: lb
Unit: EA **Price:** \$191.08



Item: MAL04200W27V40K
200W AreaLight 140LPW 26000LM
40K120/277V T3Lens 5YR DLC Pre

Color: Bronze
Size: 200W
Packing: 1 Unit/Case
Case Weight: lb
Unit: EA **Price:** \$208.15



Item: MAL04200W27V50K
200W AreaLight 140LPW 26000LM
50K120/277V T3Lens 5YR DLC Pre

Color: Bronze
Size: 200W
Packing: 1 Unit/Case
Case Weight: lb
Unit: EA **Price:** \$208.15



Item: MAL04250W27V40K
250W AreaLight 140LPW 34500LM
40K120/277V T3Lens 5YR DLC Pre

Color: Bronze
Size: 250W
Packing: 1 Unit/Case
Case Weight: lb
Unit: EA **Price:** \$283.54

JMF ADAMS

2851 BEDFORD LN. #56, CHINO HILLS, CA 91709
Telephone: (833) 825-9532 Fax: (909) 236-5871



Item: MAL04250W27V50K
250W AreaLight 140LPW 34500LM
50K120/277V T3Lens 5YR DLC Pre

Color: Bronze
Size: 250W
Packing: 1 Unit/Case
Case Weight: lb
Unit: EA **Price:** \$283.54



Item: MAL04300W27V40K
300W AreaLight 140LPW 40500LM
40K120/277V T3Lens 5YR DLC Pre

Color: Bronze
Size: 300W
Packing: 1 Unit/Case
Case Weight: lb
Unit: EA **Price:** \$337.38



Item: MAL04300W27V50K
300W AreaLight 140LPW 40500LM
50K120/277V T3Lens 5YR DLC Pre

Color: Bronze
Size: 300W
Packing: 1 Unit/Case
Case Weight: lb
Unit: EA **Price:** \$337.38



Item: MAL0440W27V40KI
40W Area Light 140LPW 5,500LM
40K120/277V T3Lens 5YR DLC Pre

Color: Bronze
Size: 40W
Packing: 1 Unit/Case
Case Weight: lb
Unit: EA **Price:** \$117.54



Item: MAL0440W27V50KD
40W Area Light 140LPW 5,500LM
50K120/277V T3Lens 5YR DLC Pre

Color: Bronze
Size: 40W
Packing: 1 Unit/Case
Case Weight: lb
Unit: EA **Price:** \$117.54



Item: MAL0470W27V40KI
70W Area Light 140LPW 9,600LM
40K120/277V T3Lens 5YR DLC Pre

Color: Bronze
Size: 70W
Packing: 1 Unit/Case
Case Weight: lb
Unit: EA **Price:** \$125.69

JMF ADAMS

2851 BEDFORD LN. #56, CHINO HILLS, CA 91709
 Telephone: (833) 825-9532 Fax: (909) 236-5871



Item: MAL0470W27V50KD
 70W Area Light 140LPW 9,600LM
 50K120/277V T3Lens 5YR DLC Pre

Color: Bronze
Size: 70W
Packing: 1 Unit/Case
Case Weight: lb
Unit: EA **Price:** \$125.69



Item: SL-100W-H3-50K
 LED Shoebox/Parking Lot Light,
 100W, 50K, 14,298 LM, CRI 73+

Color: Bronze
Size: 100W
Packing: 1 Unit/Case
Case Weight: 32.00 lb
Unit: EA **Price:** \$136.92



Item: SL-150W-H3-50K
 LED Shoebox/Parking Lot Light, 150W,
 50K, 21,000 LM, CRI 73+

Color: Bronze
Size: 150W
Packing: 1 Unit/Case
Case Weight: 32.00 lb
Unit: EA **Price:** \$152.31



Item: SL-200W-H3-50K
 LED Shoebox/Parking Lot Light,
 200W, 50K, 27,880 LM, CRI 73+

Color: Bronze
Size: 200W
Packing: 1 Unit/Case
Case Weight: 32.00 lb
Unit: EA **Price:** \$223.08



Item: SL-300W-H3-50K
 LED Shoebox/Parking Lot Light, 300W,
 50K, 42,492LM, CRI 73+

Color: Bronze
Size: 300W
Packing: 1 Unit/Case
Case Weight: 32.00 lb
Unit: EA **Price:** \$269.23



Item: SZ-PK300W-T350K
 300W Area Light 39,000LM 50K T3 0
 -10V 120/277V UL&DLC 5YR

Color: Bronze
Size: 300W
Packing: 1 Unit/Case
Case Weight: 35.71 lb
Unit: EA **Price:** \$261.54

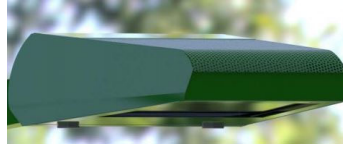
JMF ADAMS

2851 BEDFORD LN. #56, CHINO HILLS, CA 91709
Telephone: (833) 825-9532 Fax: (909) 236-5871



Item: SZ-PK600W-SL3-S
600W Area Light 79,528LM 57K 0-10V
120/277V UL&DLC Prem 5YR

Color: Bronze
Size: 600W
Packing: 1 Unit/Case
Case Weight: 35.71 lb
Unit: EA **Price:** \$742.52



Item: VUE2TT96L105050
316W Tennis Court Light 50K Green
Finish Anti-Glare 120/277V

Color: Green
Size: 316W
Packing: 1 Unit/Case
Case Weight: lb
Unit: EA **Price:** \$946.15



Item: WSD-SB06W-275K5
60W LED Shoebox PC 120/277V 50K
8700LM T3 0-10V UL/DLC 5-YR

Color: Bronze
Size: 60W
Packing: 1 Unit/Case
Case Weight: 12.00 lb
Unit: EA **Price:** \$141.54



Item: WSD-SB06W27-40K
60W LED Shoebox 120/277V 40K
8700LM T3 0-10V UL/DLC 5-YR

Color: Bronze
Size: 60W
Packing: 1 Unit/Case
Case Weight: 12.00 lb
Unit: EA **Price:** \$127.69



Item: WSD-SB06W27-50K
60W LED Shoebox 120/277V 50K
8700LM T3 0-10V UL/DLC 5-YR

Color: Bronze
Size: 60W
Packing: 1 Unit/Case
Case Weight: 12.00 lb
Unit: EA **Price:** \$127.69



Item: WSD-SB10W-275K5
100W LED Shoebox 120/277V 50K
PC 13000LM T3 0-10V UL/DLC 5YR

Color: Bronze
Size: 100W
Packing: 1 Unit/Case
Case Weight: 12.00 lb
Unit: EA **Price:** \$149.23

JMF ADAMS

2851 BEDFORD LN. #56, CHINO HILLS, CA 91709
Telephone: (833) 825-9532 Fax: (909) 236-5871



Item: WSD-SB10W27-40K
100W LED Shoebox 120/277V 40K
13000LM T3 0-10V UL/DLC 5YR

Color: Bronze
Size: 100W
Packing: 1 Unit/Case
Case Weight: 12.00 lb
Unit: EA **Price:** \$135.38



Item: WSD-SB10W27-50K
100W LED Shoebox 120/277V 50K
13000LM T3 0-10V UL/DLC 5YR

Color: Bronze
Size: 100W
Packing: 1 Unit/Case
Case Weight: 12.00 lb
Unit: EA **Price:** \$135.38



Item: WSD-SB15W-275K5
150W LED Shoebox 120/277V 50K PC
21000LM T3 0-10V UL/DLC 5YR

Color: Bronze
Size: 150W
Packing: 1 Unit/Case
Case Weight: 15.00 lb
Unit: EA **Price:** \$184.62



Item: WSD-SB15W27-40K
150W LED Shoebox 120/277V 40K
21000LM T3 0-10V UL/DLC 5YR

Color: Bronze
Size: 150W
Packing: 1 Unit/Case
Case Weight: 15.00 lb
Unit: EA **Price:** \$170.77



Item: WSD-SB15W27-50K
150W LED Shoebox 120/277V 50K
21000LM T3 0-10V UL/DLC 5YR

Color: Bronze
Size: 150W
Packing: 1 Unit/Case
Case Weight: 15.00 lb
Unit: EA **Price:** \$170.77



Item: WSD-SB20W27-40K
200W LED Shoebox 120/277V 40K
27000LM T3 0-10V UL/DLC 5YR

Color: Bronze
Size: 200W
Packing: 1 Unit/Case
Case Weight: 15.00 lb
Unit: EA **Price:** \$183.08

JMF ADAMS

2851 BEDFORD LN. #56, CHINO HILLS, CA 91709
Telephone: (833) 825-9532 Fax: (909) 236-5871



Item: WSD-SB20W27-50K
200W LED Shoebox 120/277V 50K
27000LM T3 0-10V UL/DLC 5YR
Color: Bronze
Size: 200W
Packing: 1 Unit/Case
Case Weight: 15.00 lb
Unit: EA **Price:** \$183.08



Item: WSD-SB30W-275KE
300W LED Shoebox 120/277V 50K
PC 42000LM T3 0-10V UL/DLC 5YR
Color: Bronze
Size: 300W
Packing: 1 Unit/Case
Case Weight: 27.00 lb
Unit: EA **Price:** \$296.92



Item: WSD-SB30W27-40K
300W LED Shoebox 120/277V 40K
42000LM T3 0-10V UL/DLC 5YR
Color: Bronze
Size: 300W
Packing: 1 Unit/Case
Case Weight: 27.00 lb
Unit: EA **Price:** \$283.08



Item: WSD-SB30W27-50K
300W LED Shoebox 120/277V 50K
42000LM T3 0-10V UL/DLC 5YR
Color: Bronze
Size: 300W
Packing: 1 Unit/Case
Case Weight: 27.00 lb
Unit: EA **Price:** \$283.08



Item: WSD-SB30W48-5KG
300W LED Shoebox 277/480V 50K
42000LM T3 0-10V UL/DLC 5YR
Color: Any Color
Size: 300WHV
Packing: 1 Unit/Case
Case Weight: 27.00 lb
Unit: EA **Price:** \$295.38



Item: WSD-SB40W27-50K
400W LED Shoebox 120/277V 50K
56700LM T3 0-10V UL/DLC 5YR
Color: Bronze
Size: 400W
Packing: 1 Unit/Case
Case Weight: 27.00 lb
Unit: EA **Price:** \$312.31

JMF ADAMS

2851 BEDFORD LN. #56, CHINO HILLS, CA 91709
Telephone: (833) 825-9532 Fax: (909) 236-5871



Item: ESBV7150WCT3H1B
150W Shoebox 50K 277/480V
19500LM 0-10V T3 UL DLC 5-YR

Color: Black
Size: 150WHV
Packing: 1 Unit/Case
Case Weight: lb
Unit: EA **Price:** \$197.54



Item: ESBV7150WCT3H1'
150W Shoebox 50K 277/480V
19500LM 0-10V T3 UL DLC 5-YR

Color: White
Size: 150WHV
Packing: 1 Unit/Case
Case Weight: lb
Unit: EA **Price:** \$207.69



Item: ESBV7300WCT3H1B
300W Shoebox 50K 277/480V
39,000LM 0-10V T3 UL DLC 5-YR

Color: Bronze
Size: 300WHV
Packing: 1 Unit/Case
Case Weight: lb
Unit: EA **Price:** \$324.31



Item: ESBV7300WCT3H1'
300W LED Shoebox 50K 39000LM
277/480V 0-10V T3 UL/DLC 5-YR

Color: White
Size: 300WHV
Packing: 1 Unit/Case
Case Weight: lb
Unit: EA **Price:** \$327.38



Item: HG-SL-150W-D480
150W Shoebox 50K 21,000LM 480V
Bronze Finish 0-10V 5YR Warr

Color: Bronze
Size: 150WHV
Packing: 1 Unit/Case
Case Weight: 50.00 lb
Unit: EA **Price:** \$183.25



Item: HG-SL-300W-D480
300W Shoebox 50K 39,000LM 480V
Bronze Finish 0-10V 5YR Warr

Color: Bronze
Size: 300W
Packing: 1 Unit/Case
Case Weight: 50.00 lb
Unit: EA **Price:** \$294.62

JMF ADAMS

2851 BEDFORD LN. #56, CHINO HILLS, CA 91709
Telephone: (833) 825-9532 Fax: (909) 236-5871



Item: MAL04150W48V50K
150W AreaLight 140LPW 20800LM
50K347/480V T3Lens 5YR DLC Pre

Color: Bronze
Size: 150WHV
Packing: 1 Unit/Case
Case Weight: lb
Unit: EA **Price:** \$247.69



Item: MAL04300W48V50K
300W AreaLight 140LPW 41000LM
50K120/277V T3Lens 5YR DLC Pre

Color: Bronze
Size: 300WHV
Packing: 1 Unit/Case
Case Weight: lb
Unit: EA **Price:** \$373.23



Item: MAL0445W48V50KD
45W Area Light 140LPW 5,500LM
50K347/480V T3Lens 5YR DLC Pre

Color: Bronze
Size: 45W-HV
Packing: 1 Unit/Case
Case Weight: lb
Unit: EA **Price:** \$130.15



Item: WSD-SB06W48-50K
60W Shoebox 50K 277/480V 8,700LM
0-10V T3 UL DLC 5-YR

Color: Bronze
Size: 60WHV
Packing: 1 Unit/Case
Case Weight: 12.00 lb
Unit: EA **Price:** \$136.92



Item: WSD-SB10W48-5K
100W LED Shoebox 277/480V 50K
13000LM T3 0-10V UL/DLC 5YR

Color: Bronze
Size: 100WHV
Packing: 1 Unit/Case
Case Weight: 12.00 lb
Unit: EA **Price:** \$167.69



Item: WSD-SB15W48-5K
150W LED Shoebox 277/480V 50K
21000LM T3 0-10V UL/DLC 5YR

Color: Bronze
Size: 150W
Packing: 1 Unit/Case
Case Weight: 15.00 lb
Unit: EA **Price:** \$198.46

JMF ADAMS

2851 BEDFORD LN. #56, CHINO HILLS, CA 91709
Telephone: (833) 825-9532 Fax: (909) 236-5871



Item: WSD-SB20W48-5K
200W LED Shoebox 277/480V 50K
27000LM T3 0-10V UL/DLC 5YR
Color: Bronze
Size: 200WHV
Packing: 1 Unit/Case
Case Weight: 15.00 lb
Unit: EA **Price:** \$220.00



Item: WSD-SB40W48-50K
400W LED Shoebox 277/480V 50K
56700LM T3 0-10V UL/DLC 5YR
Color: Bronze
Size: 400WHV
Packing: 1 Unit/Case
Case Weight: 27.00 lb
Unit: EA **Price:** \$398.46



Item: AOK-OT-TYPE-AD
Slip-Fitter Mount for OT Series in
Bronze
Color: Bronze
Size: SFM
Packing: 1 Unit/Case
Case Weight: lb
Unit: EA **Price:** \$23.08



Item: AOK-OT-TYPE-BD
Beam angle adjustable Direct Arm
mount Bracket for OT Series
Color: Bronze
Size: ADJSQ
Packing: 1 Unit/Case
Case Weight: lb
Unit: EA **Price:** \$23.08



Item: AOK-OT-TYPE-CLD
Yoke Mount Bracket-Large For 300-
400W OT Area Light
Color: Bronze
Size: YKM
Packing: 1 Unit/Case
Case Weight: lb
Unit: EA **Price:** \$12.31



Item: AOK-OT-TYPE-CME
Yoke Mount Bracket-Medium For
230W OT Area Light
Color: Bronze
Size: YKM
Packing: 1 Unit/Case
Case Weight: lb
Unit: EA **Price:** \$11.54

JMF ADAMS

2851 BEDFORD LN. #56, CHINO HILLS, CA 91709
Telephone: (833) 825-9532 Fax: (909) 236-5871



Item: AOK-OT-TYPE-CSD
Yoke Mount Bracket-Small For 75-145Watt OT Area Light

Color: Bronze
Size: YKM
Packing: 1 Unit/Case
Case Weight: lb
Unit: EA **Price:** \$11.54



Item: AOK-OT-TYPE-DD
Direct Pole Mount for OT Series in Bronze; Round/Square both

Color: Bronze
Size: SQ/R
Packing: 1 Unit/Case
Case Weight: lb
Unit: EA **Price:** \$23.08



Item: AOK-OT-TYPE-GD
Trunnion For OT Series Area Light In Bronze Finish

Color: Bronze
Size: TRNM
Packing: 1 Unit/Case
Case Weight: lb
Unit: EA **Price:** \$13.08



Item: AOK-P-CELL
Photocell Sensor NV 100-277V

Color: Bronze
Size: PC
Packing: 1 Unit/Case
Case Weight: lb
Unit: EA **Price:** \$13.08



Item: AOK-P-CELL-HV
Photocell Sensor HV 347-480V

Color: Yellow
Size: PCHV
Packing: 1 Unit/Case
Case Weight: lb
Unit: EA **Price:** \$15.38

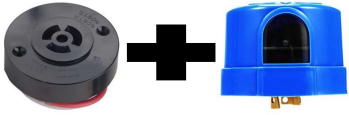


Item: AOK-S-CAP
Shorting Cap For OT Series Area Light (both 277-480V Input)

Color: Yellow
Size: S-Cap
Packing: 1 Unit/Case
Case Weight: lb
Unit: EA **Price:** \$5.38

JMF ADAMS

2851 BEDFORD LN. #56, CHINO HILLS, CA 91709
Telephone: (833) 825-9532 Fax: (909) 236-5871



Item: AR2-JL-207C
Photocell & Base 120/277V for Area Light

Color: Blue
Size: P-Cell
Packing: 1 Unit/Case
Case Weight: 24.20 lb
Unit: EA **Price:** \$35.43



Item: AR2-SF
Slip-Fitter For AR2 Series Area Light In Bronze Finish

Color: Bronze
Size: S-Fit
Packing: 1 Unit/Case
Case Weight: 3.00 lb
Unit: EA **Price:**



Item: AREA-CSTM-COLOR
Repaint Labor Cost 5-YR Manufacturer Warranty (ALL COLORS)

Color: Any Color
Size: ALL
Packing: 1 Unit/Case
Case Weight: lb
Unit: EA **Price:** \$50.00



Item: ARL3-SA
Straight-Arm For ARL3 Series Area Light In Bronze Finish

Color: Bronze
Size: S-ARM
Packing: 1 Unit/Case
Case Weight: 3.00 lb
Unit: EA **Price:**



Item: ARL3-SF
Slip-Fitter For ARL3 Series Area Light In Bronze Finish

Color: Bronze
Size: S-Fit
Packing: 1 Unit/Case
Case Weight: 3.00 lb
Unit: EA **Price:**



Item: ESBV17-AM
Slip-Fitter for Shoebox/Parking Lot Light

Color: Bronze
Size: SFM
Packing: 1 Unit/Case
Case Weight: 4.00 lb
Unit: EA **Price:** \$14.00

JMF ADAMS

2851 BEDFORD LN. #56, CHINO HILLS, CA 91709
Telephone: (833) 825-9532 Fax: (909) 236-5871



Item: ESBV17-AM-W
Slip-Fitter for Shoebox/Parking Lot Light

Color: White
Size: SFM
Packing: 1 Unit/Case
Case Weight: 4.00 lb
Unit: EA Price: \$14.00



Item: ESBV17-DM
Square Pole / Direct Mount for Shoebox/Parking Lot Light

Color: Bronze
Size: SP-DM
Packing: 1 Unit/Case
Case Weight: 9.00 lb
Unit: EA Price: \$14.00



Item: ESBV17-DM-B
Square Pole / Direct Mount for Shoebox/Parking Lot Light

Color: Black
Size: SP-DM
Packing: 1 Unit/Case
Case Weight: 9.00 lb
Unit: EA Price: \$14.00



Item: ESBV17-DM-W
Square Pole / Direct Mount for Shoebox/Parking Lot Light

Color: White
Size: SP-DM
Packing: 1 Unit/Case
Case Weight: 9.00 lb
Unit: EA Price: \$14.00



Item: ESBV17-YM-B
Yoke Mount for Shoebox/Parking Lot Light

Color: Black
Size: YKM
Packing: 1 Unit/Case
Case Weight: lb
Unit: EA Price: \$11.00



Item: ESBV7-YM
Yoke Mount for Shoebox/Parking Lot Light

Color: Bronze
Size: YM
Packing: 1 Unit/Case
Case Weight: lb
Unit: EA Price: \$11.00

JMF ADAMS

2851 BEDFORD LN. #56, CHINO HILLS, CA 91709
Telephone: (833) 825-9532 Fax: (909) 236-5871



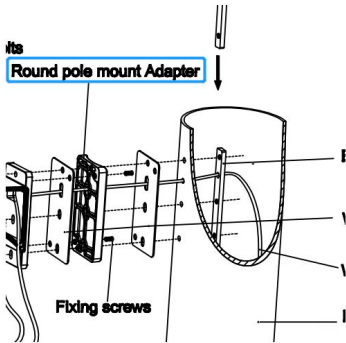
Item: ESL01A-TYPE-B
Square/Round Pole Adjustable Mount
for ESL01A Area Light.

Color: Bronze
Size: RSPA
Packing: 1 Unit/Case
Case Weight: lb
Unit: EA Price: \$15.38



Item: ETH-SHIELD
Glare Shield for Etherium Area Light.

Color: Bronze
Size: Univer
Packing: 5 Unit/Case
Case Weight: lb
Unit: EA Price: \$23.08



Item: HG-DM-ADAPTER
HG Direct Mount Adapter for Round
Pole

Color: Bronze
Size: RndMnt
Packing: 1 Unit/Case
Case Weight: 16.00 lb
Unit: EA Price: \$2.50



Item: HG-P-CELL
Photocell Sensor HG 100-277V

Color: Blue
Size: DtoD
Packing: 1 Unit/Case
Case Weight: lb
Unit: EA Price: \$15.38



Item: HG-RSQ-B
HG Round/Square-Pole Mount
Adjustable Bracket for Shoebox

Color: Bronze
Size: RD/SQ
Packing: 8 Unit/Case
Case Weight: 42.00 lb
Unit: EA Price: \$23.08



Item: HG-SF-A-B
HG Slip-Fitter Bracket for Shoebox

Color: Bronze
Size: SFM
Packing: 1 Unit/Case
Case Weight: 21.00 lb
Unit: EA Price: \$15.38

JMF ADAMS

2851 BEDFORD LN. #56, CHINO HILLS, CA 91709
 Telephone: (833) 825-9532 Fax: (909) 236-5871



Item: HG-SP-B-B
 HG Square-Pole Direct Mount Bracket for Shoebox
Color: Bronze
Size: DM
Packing: 8 Unit/Case
Case Weight: 37.00 lb
Unit: EA **Price:** \$16.92



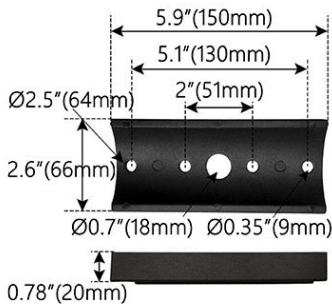
Item: HG-SURGE-P
 Surge Protector for HG Shoebox
Color: Blue
Size: SurgeP
Packing: 1 Unit/Case
Case Weight: lb
Unit: EA **Price:** \$15.38



Item: HG-TR-E-B
 HG Trunnion Mount Adjustable Bracket for Shoebox
Color: Bronze
Size: TM
Packing: 8 Unit/Case
Case Weight: 24.00 lb
Unit: EA **Price:** \$10.77



Item: HG-WA-D-B
 HG Wall/Square-Pole Mount Adjustable Bracket for Shoebox
Color: Bronze
Size: SQP/WA
Packing: 8 Unit/Case
Case Weight: 37.00 lb
Unit: EA **Price:** \$20.00



Item: JARM-BAR-D
 Round Pole Adapter for Adjustable Mount for WSD Area Light
Color: Bronze
Size: RPM-A
Packing: 1 Unit/Case
Case Weight: 22.00 lb
Unit: EA **Price:** \$7.69



Item: SL-ARM
 LED Shoebox/Parking Lot Light - Round & Square Pole Mount
Color: Bronze
Size: RD/SQ
Packing: 1 Unit/Case
Case Weight: lb
Unit: EA **Price:** \$23.08

JMF ADAMS

2851 BEDFORD LN. #56, CHINO HILLS, CA 91709
Telephone: (833) 825-9532 Fax: (909) 236-5871



Item: SL-P-CELL
LED Shoebox/Parking Lot Light -
Photocell
Color: Bronze
Size: PC
Packing: 1 Unit/Case
Case Weight: lb
Unit: EA **Price:** \$15.38



Item: SL-S-CAP
LED Shoebox/Parking Lot Light -
Shorting Cap(included)
Color: Bronze
Size: PC
Packing: 1 Unit/Case
Case Weight: lb
Unit: EA **Price:** \$11.54



Item: SL-SF
LED Shoebox/Parking Lot Light -
Slip-Fitter Mount
Color: Bronze
Size: SF Mnt
Packing: 1 Unit/Case
Case Weight: lb
Unit: EA **Price:** \$23.08



Item: SL-TR
LED Shoebox/Parking Lot Light -
Trunnion Mount
Color: Bronze
Size: TR Mnt
Packing: 1 Unit/Case
Case Weight: lb
Unit: EA **Price:** \$23.08



Item: SL-YK
LED Shoebox/Parking Lot Light - Yoke
Mount
Color: Bronze
Size: YK Mnt
Packing: 1 Unit/Case
Case Weight: lb
Unit: EA **Price:** \$23.64



Item: SZ-DM
Direct Mount for Shoebox/Parking Lot
Light SZ Light
Color: Bronze
Size: DM
Packing: 1 Unit/Case
Case Weight: lb
Unit: EA **Price:** \$25.08

JMF ADAMS

2851 BEDFORD LN. #56, CHINO HILLS, CA 91709
Telephone: (833) 825-9532 Fax: (909) 236-5871



Item: SZ-YKM
Yoke Mount for Shoebox/Parking Lot Light SZ Light
Color: Bronze
Size: YM
Packing: 1 Unit/Case
Case Weight: lb
Unit: EA Price: \$25.08



Item: WSD-SB-PCELL
Photocell 120/277V for WSD Area Light & Street Light
Color: Blue
Size: P-Cell
Packing: 1 Unit/Case
Case Weight: 24.20 lb
Unit: EA Price: \$10.00



Item: WSD-SB-RPA-B
Bronze Finish Round Pole Adapter for WSD Area Light
Color: Bronze
Size: RPA
Packing: 1 Unit/Case
Case Weight: 1.10 lb
Unit: EA Price: \$7.69



Item: WSD-SB-SCAP
Shorting Cap 120/277V for WSD Area Light
Color: Black
Size: S-Cap
Packing: 1 Unit/Case
Case Weight: lb
Unit: EA Price: \$9.23



Item: WSD-SB-SF-D
Dark Bronze Slip-Fitter Adjustable Mount for WSD Area Light
Color: Bronze
Size: SF
Packing: 1 Unit/Case
Case Weight: 1.40 lb
Unit: EA Price: \$10.00



Item: WSD-SB-SL-PLATE
300W Sensor Mounting Bracket
Color: Bronze
Size: Mt Plt
Packing: 1 Unit/Case
Case Weight: lb
Unit: EA Price: \$7.69

JMF ADAMS

2851 BEDFORD LN. #56, CHINO HILLS, CA 91709
Telephone: (833) 825-9532 Fax: (909) 236-5871



Item: WSD-SB-SP-D
Dark Bronze Square Pole Adjustable Mount for WSD Area Light
Color: Bronze
Size: SP
Packing: 1 Unit/Case
Case Weight: 1.80 lb
Unit: EA **Price:** \$10.00



Item: WSD-SB-SS-PLATE
60W/100W/150W/200W Microwave Sensor Mounting Bracket
Color: Bronze
Size: Mt Plt
Packing: 1 Unit/Case
Case Weight: lb
Unit: EA **Price:** \$7.69



Item: WSD-SBG-SHIELD
Glare Shield for Shoebox/Area Light 60-200W
Color: Bronze
Size: 60-200
Packing: 1 Unit/Case
Case Weight: 5.00 lb
Unit: ea **Price:** \$30.77



Item: WSD-SBG-SHIELD3
Glare Shield for Shoebox/Area Light 300W
Color: Bronze
Size: 300
Packing: 1 Unit/Case
Case Weight: 5.00 lb
Unit: ea **Price:** \$30.77



Item: CLH115W1X1-E 5K
115W Paddle Style Retrofit 50K 14950LM E39 120/277V UL DLC
Color: Black
Size: 115W
Packing: 1 Unit/Case
Case Weight: lb
Unit: EA **Price:** \$128.62



Item: CLH54W1X1-E 50K
54W Paddle Style Retrofit Kit 50K 7020LM E39 120/277V UL DLC
Color: Black
Size: 54W
Packing: 1 Unit/Case
Case Weight: lb
Unit: EA **Price:** \$79.54

JMF ADAMS

2851 BEDFORD LN. #56, CHINO HILLS, CA 91709
 Telephone: (833) 825-9532 Fax: (909) 236-5871



Item: CLH75W1X1-E 50K
 75W Paddle Style Retrofit Kit 50K
 9750LM E39 120/277V UL DLC

Color: Black
Size: 75W
Packing: 1 Unit/Case
Case Weight: lb
Unit: EA Price: \$113.38



Item: NG-RK-150W-508
 150W Retrofit Kit 50K 21000LM E39
 120/277V IP65 ETL/DLC 5-YR

Color: Silver
Size: 150W
Packing: 1 Unit/Case
Case Weight: lb
Unit: EA Price: \$124.62



Item: NG-RK-300W-508
 300W Retrofit Kit 50K 39000LM E39
 120/277V IP65 ETL/DLC 5-YR

Color: Silver
Size: 300W
Packing: 1 Unit/Case
Case Weight: lb
Unit: EA Price: \$215.38



Item: NGRK-150W-5K-HV
 150W Retrofit Kit 50K 21000LM E39
 277/480V IP65 ETL/DLC 5-YR

Color: Silver
Size: 150WHV
Packing: 1 Unit/Case
Case Weight: lb
Unit: EA Price: \$184.62



Item: RKPUS-150W-50K
 150W Retrofit Kit 50K 21000LM E39
 120/277V IP65 ETL/DLC 5-YR

Color: Silver
Size: 150W
Packing: 1 Unit/Case
Case Weight: lb
Unit: EA Price: \$190.77



Item: RKPUS-300W-50K
 300W Retrofit Kit 50K 39000LM E39
 120/277V IP65 ETL/DLC 5-YR

Color: Silver
Size: 300W
Packing: 1 Unit/Case
Case Weight: lb
Unit: EA Price: \$376.92

JMF ADAMS

2851 BEDFORD LN. #56, CHINO HILLS, CA 91709
Telephone: (833) 825-9532 Fax: (909) 236-5871



Item: RKPUS-60W-50K
60W Retrofit Kit 50K 7,739LM E39
120/277V IP65 ETL/DLC 5-YR

Color: Silver

Size: 60W

Packing: 1 Unit/Case

Case Weight: lb

Unit: EA **Price:** \$109.23

Item:

Color:

Size:

Packing: Unit/Case

Case Weight: lb

Unit: **Price:**