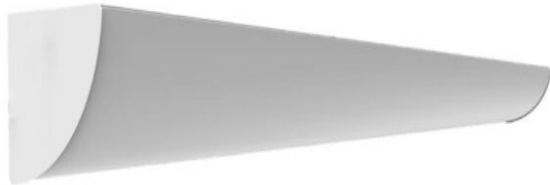





Project:	
Catalog#:	
Notes:	Date:
Type:	

CURVED 2FT & 4FT STAIRWELL FIXTURES



APPLICATIONS


- STAIRWAY
- HOSPITALITY
- LIBRARIES
- SCHOOLS
- CHURCHES
- HEALTHCARE
- AIRPORTS
- OFFICE BUILDINGS
- FAST FOOD RESTAURANTS
- CORRIDOR
- HALLWAY
- OTHER INDOOR APPLICATIONS



**VARIABLE
POWER SWITCH**

3000K
4000K
5000K

Selectable



0-10V Dimming

120/277
VAC

KEY FEATURES

CONSTRUCTION
Curved LED Architectural Stairwell Fixture designed for ceiling-to-wall installations. 3CCT Tunable Switch & 4Power Adjustable Switch Luminaire. Die-Cast Aluminum Housing provides strength and uniformity. Aluminum heat sink removes heat efficiently for long life. 2FT or 4FT size.

OPTICAL SYSTEM
Heat resistant frosted lens diffuser. Superior light distribution that is even & glare-free. High reflective coating with 120° beam angle. Field adjustable CCT & Wattage control.

CERTIFICATION
UL RoHS, CE, DLC Premium Listed, FCC listed; with LM79 & LM80, IP20 Rated.

ELECTRICAL
2FT Luminaire is available in: 25W/30W/35W/40W Field Switch. 4FT Luminaire is available in: 35W/40W/45W/50W Field Switch. High lumen efficacy 130lm/W. 4-Power Field Control Switch 0-10V dimming, Class-2 Isolated Driver. Optional: EM Battery, Bi-Level Sensor, Wall Switch, & Blue-Tooth Application Control.

INSTALLATION
Easy installation. Fits in standard wall mount-to-ceilings. Optional components such as EM's, Sensors, and Power Packs are concealed. Flicker free. 3CCT Field Adjustable: 3000K/4000K/5000K.

WARRANTY
Industry leading Ten (10) year manufacturer warranty in the USA.



ORDERING

MODEL NUMBER(S)							
MODEL NUMBER	POWER	LUMENS PER WATT	LUMENS	LENGTH	COLOR TEMPERATURE SELECTABLE SWITCH	CRI	LIFE HOURS
LSC-2FT-30-T1F-SL	10/14/20/30 WATTS	130 LPW	1220/1803/2501/3703 LM	2 FT	T=3500K/4000K/5000K	80+	100,000HRS.
LSC-4FT-40-T1F-SL	12/18/25/40 WATTS	130 LPW	1523/2391/3274/5185 LM	4 FT	T=3500K/4000K/5000K	80+	100,000HRS.

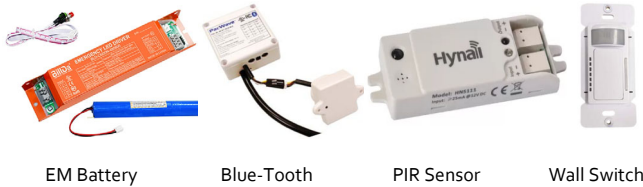


CURVED 2FT STAIRWELL FIXTURES

PERFORMANCE DATA



ACCESSORIES



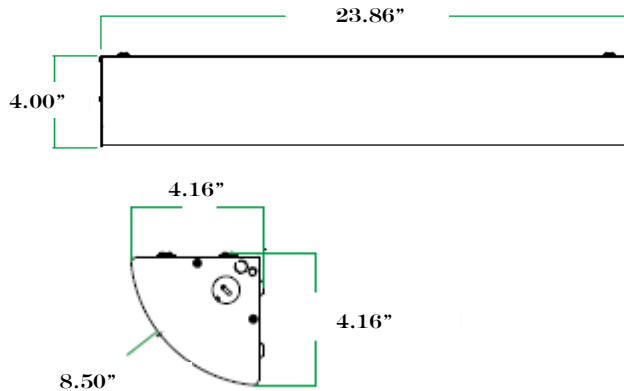
EM Battery

Blue-Tooth

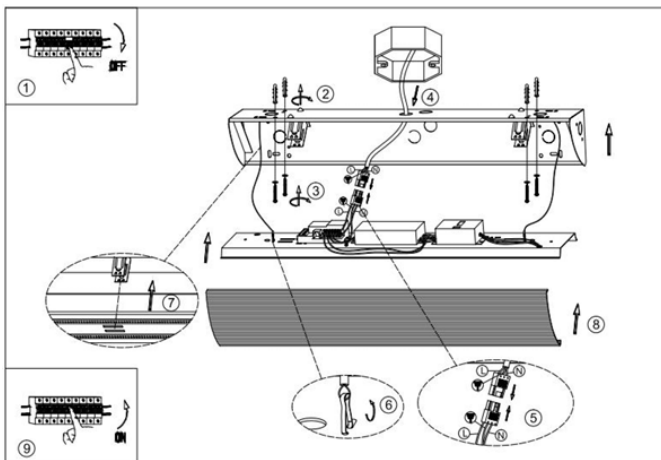
PIR Sensor

Wall Switch

DIMENSIONS



ADJUSTMENTS & INSTALLATION



MODEL TECHNICAL SUMMARY

LSC-2FT-30-T1F-SL

INPUT WATT SWITCH	10/14/20/30 Watts
INPUT VOLTAGE	AC 120-277V
POWER FREQUENCY	50 / 60 HZ
EFFICACY	130 lm/W
LED CHIPS	BRIDGELUX LEDS
LED DRIVER	CONSTANT POWER
DELIVERED LUMENS	1220/1803/2501/3703 LM
COLOR TEMPERATURE SWITCH	T=3000K/4000K/5000K
CRI	80+
WORKING TEMPERATURE	-25°C - +40°C
STORAGE TEMPERATURE	-35°C - +50°C
IP RATING	IP20
CERTIFICATION	UL RoHS CE FCC DLC Premium Listed
WARRANTY TIME	10 Years
OPTIONAL ACCESSORY	EM Backup / Bi-Level Sensor / PIR / Blue-Tooth / Wall Switch
DIMMABLE	0-10V Dimmable
BEAM ANGLE	110°
THD	≤20%
POWER FACTOR	>0.9
L70 (HOURS)	100,000
DIMENSIONS (L*W*H) INCHES	23.86" * 4.00" * 4.16"

DLC PREMIUM LISTING



LSC-2FT-30-T1-F-[Blank,Sx,Ex,SxEx]-Z
 Manufacturer: ATG Electronics Corp.
 Brand: ATG Electronics Corp.

PRODUCT OVERVIEW

Classification	Premium
Primary Use	Stairwell and Passageway Luminaires
Reported Input Wattage	29 W
Reported Light Output	3595 lm
Reported CCT	3000 K
Reported CRI (Ra)	83
Product ID	S-4AGSW8

PRODUCT INFORMATION

Product ID	S-4AGSW8
Manufacturer	ATG Electronics Corp.
Brand	ATG Electronics Corp.
Model Number	LSC-2FT-30-T1-F-[Blank,Sx,Ex,SxEx]-Z
Parent	Yes
Classification	Premium
DLC Family Code	WWWXXO
Input Power Type	AC

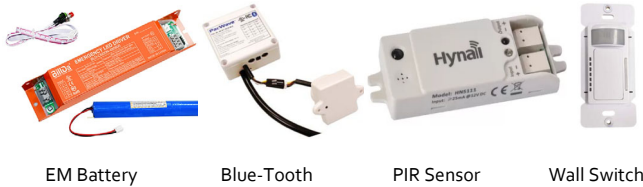


CURVED 4FT STAIRWELL FIXTURES

PERFORMANCE DATA



ACCESSORIES



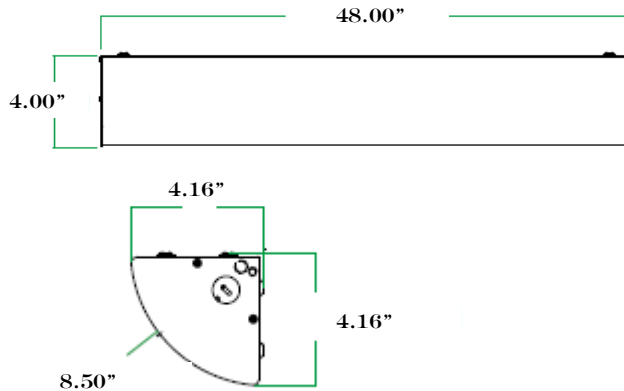
EM Battery

Blue-Tooth

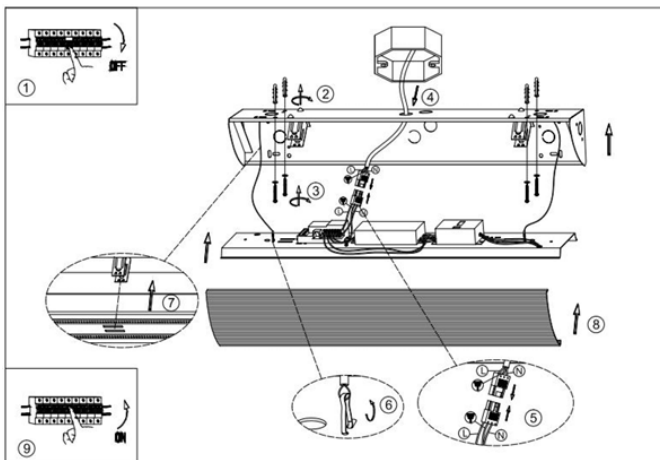
PIR Sensor

Wall Switch

DIMENSIONS



ADJUSTMENTS & INSTALLATION



MODEL TECHNICAL SUMMARY

LSC-4FT-40-T1F-SL

INPUT WATT SWITCH	12/18/25/40 Watts
INPUT VOLTAGE	AC 120-277V
POWER FREQUENCY	50 / 60 HZ
EFFICACY	130 lm/W
LED CHIPS	BRIDGELUX LEDS
LED DRIVER	CONSTANT POWER
DELIVERED LUMENS	1523/2391/3274/5185 LM
COLOR TEMPERATURE SWITCH	T=3000K/4000K/5000K
CRI	80+
WORKING TEMPERATURE	-25°C - +40°C
STORAGE TEMPERATURE	-35°C - +50°C
IP RATING	IP20
CERTIFICATION	UL RoHS CE FCC DLC Premium Listed
WARRANTY TIME	10 Years
OPTIONAL ACCESSORY	EM Backup / Bi-Level Sensor / PIR / Blue-Tooth / Wall Switch
DIMMABLE	0-10V Dimmable
BEAM ANGLE	110°
THD	≤20%
POWER FACTOR	>0.9
L70 (HOURS)	100,000
DIMENSIONS (L*W*H) INCHES	48.00" * 4.00" * 4.16"

DLC PREMIUM LISTING



LSC-4FT-40-T1-F-[Blank,Sx,Ex,SxEx]-Z

Manufacturer: ATG Electronics Corp.
Brand: ATG Electronics Corp.

PRODUCT OVERVIEW

Classification	Premium
Primary Use	Stairwell and Passageway Luminaires
Reported Input Wattage	40.3 W
Reported Light Output	5034 lm
Reported CCT	3000 K
Reported CRI (Ra)	83
Product ID	S-9WDC50

PRODUCT INFORMATION

Product ID	S-9WDC50
Manufacturer	ATG Electronics Corp.
Brand	ATG Electronics Corp.
Model Number	LSC-4FT-40-T1-F-[Blank,Sx,Ex,SxEx]-Z
Parent	No
Classification	Premium
DLC Family Code	WWWXIO
Input Power Type	AC